

FXC-1201M

Home | Security | IP Cameras | Megapixel

FXC-1201M

1/3" Network Camera, Day&Night, H.264, CS/C,

1600x1200, 24VAC/12VDC, PoE

Art-Nr. 92715



Lens not included

Main Features

1/3" Sony 2.0 megapixels CMOS sensor
Resolution of 1600 x 1200 (HD 720p) max.
Simultaneous H.264 & MPEG-4 video streaming
Electronic day&night switching
e-PTZ function support
Privacy zone masking

Integrated motion detection
Audio and alarm in-/outputs
Alarm recording on SD/SDHC card
ONVIF conformity
Power-over-Ethernet (PoE)
Web server support for network preview

Specifications

Series	eneo F
Resolution standard	HD 720p
System	day&night
Sensor size	1/3"
Imager	CMOS
Sensitivity (at 50% video signal)	0,5 Lux, at F1.2
Horizontal resolution	n/a TVL
Digital signal processing (DSP)	TI TMS320DM355 (digital media processor)
Synchronization	internal
Digital Noise Reduction (DNR)	no
Low speed shutter	no
Wide Dynamic Range (WDR)	no
Backlight compensation	no

FXC-1201M

(Continuation Specifications)

IR cut filter	standard
Privacy zones masking	4 areas selectable
Activity detection	yes
Motion detector	integrated
Text display	supplied
Menu languages	English, Chinese
External adjustments	flange focus
External connections	RS-485, alarm input, alarm output, audio in/output, RJ-45, SD/SDHC slot
Audio support	yes
Audio	1/1 Line input and output
Alarm inputs	1, 1
Alarm outputs	1
Internal storage	SDHC card, SD card
Digital storage media	Apacer 1GB, Apacer 4GB, 8GB, 16GB, Kingston 1GB, 2GB, Kingston 4GB, 8GB, 16GB, 32GB, ScanDisk 1GB, 2GB, ScanDisk 4GB, 8GB, 32GB, Crucial 1GB, Trancend 4GB, 8GB, 16GB, KINGMAX 4GB, 8GB, 16GB, A-Data 4GB, 16GB
Compression standard	H.264, M-JPEG
Resolution max.	1600x1200
Resolution	1600x1200 (4:3), 1600x912 (16:9), 1280x960 (4:3), 1280x720 (16:9), 800x600 (4:3), 704x576 (4:3), 640x480 (4:3), 352x288 (4:3)
Image transmission rate max.	30 fps
Stream types	H.264, MJPEG multiple
Ethernet interface	100Base-TX
Web browser	MS Internet Explorer vers. 7.0 or higher
Network protocols	TCP/IP, DHCP, DNS, HTTP, RTCP, RTP, PPPoE, FTP, SMTP, NTP, SNMP
Remote configuration	web browser, remote software
Multicast compliant	yes
Lens mount	CS mount
Digital zoom	no
Iris control	no
e-PTZ support	yes
Analysis functions	motion detection
Serial interfaces	RS-485
Password protection	yes
Management Software Support	Finitra, Zelarix
SDK	available, SDK incl. HTTP-API and ActiveX
ONVIF	yes, ONVIF Test Tool version 1.02.2.10
Power consumption	4.0W

FXC-1201M

(Continuation Specifications)

Temperature range (operation)	-10°C ~+60°C
Supply voltage	24VAC, 12VDC, PoE, 12VDC (+/-10%), 24VAC (±10%), 50/60Hz, PoE (IEEE-802.3af)
Power over Ethernet	yes
Protection rating	n/a
Parts supplied	Quick Installation Guide, Manual and Software on CD-ROM, installation CD, C mount ring, PSU
Weight	650g
Dimensions (HxWxD)	63x59x116mm

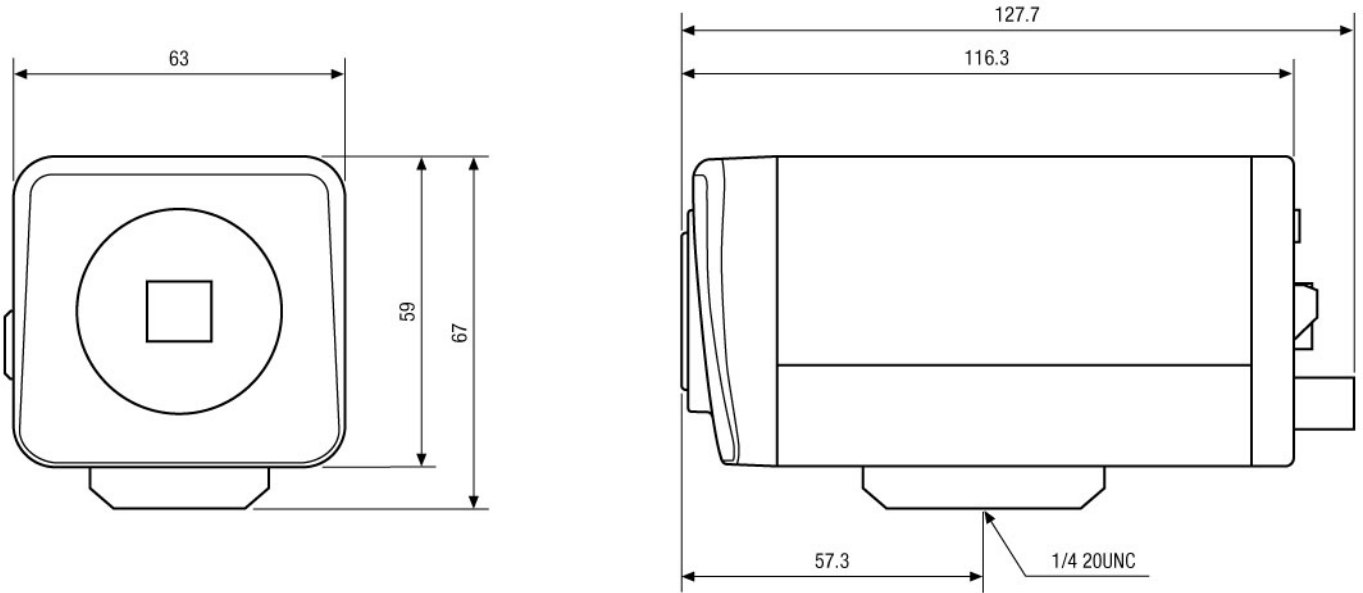
Optional accessories

70535	VT-PS12DC-8	Plug-in Power Supply Unit 100-240VAC 12VDC (1.0Amp), Regulated, with DC Plug
70771	WD-23	Wall Mount Bracket with Ball Joint, 1/4" Camera Fixing Screw, Pantone 877
200803	ZELARIS ELEMENTS	Video Management Software, for eneo IP Cameras
79722	VHM/ECLIP-W	Weatherproof Housing (330mm), Heater, Thermostat, Blower, RAL9016/7035, 12VDC
43276	F02Z2.8M-NFSHD	F1.2/2,8-8mm Lens, Varifocal, No Focus Shift, Full HD 1080p, 1/3" CS Mount

FXC-1201M

Home | Security | IP Cameras | Megapixel

Technical drawing



Maße/Dimensions: mm

